

**PLUS - Static Preparation
 1200 mm Sink Cupboard for
 Dishwasher with 1 Bowl - Left Drainer**

ITEM # _____

MODEL # _____

NAME # _____

SIS # _____

AIA # _____


134144 (GLRISSPP)

 Sink Cupboard for
 Dishwasher with 1 bowl and
 left-hand drainer, 1200mm

Short Form Specification

Item No. _____

Enhanced stability and solid construction thanks to the welded frame and legs. The 50mm high worktop in 304 AISI stainless steel, with Scotch Brite finishing 10/10 mm in thickness, has anti-drip edges, welded corners and overflow rim along the top. Welded and polish sink bowl in 304 AISI stainless steel supplied with overflow pipe and 2" drain hole. Upstand h=100mm with 10mm radius corner covered on the back with AISI 304 stainless steel spot welded profile. Square section legs and height adjustable feet (-20 +30 mm) in 304 AISI stainless steel. 40 mm-thick lower welded shelf in AISI 304 stainless steel slots easily into place at a height of 200 mm from the floor (compulsory to install the chest of drawers). Square section legs and height adjustable feet (-20 +30 mm) in 304 AISI stainless steel.

Main Features

- Enhanced stability and solid construction. Stability, loading and stress tests by external certified body.
- Product range suitable for international tenders requirements for intense usage installations.

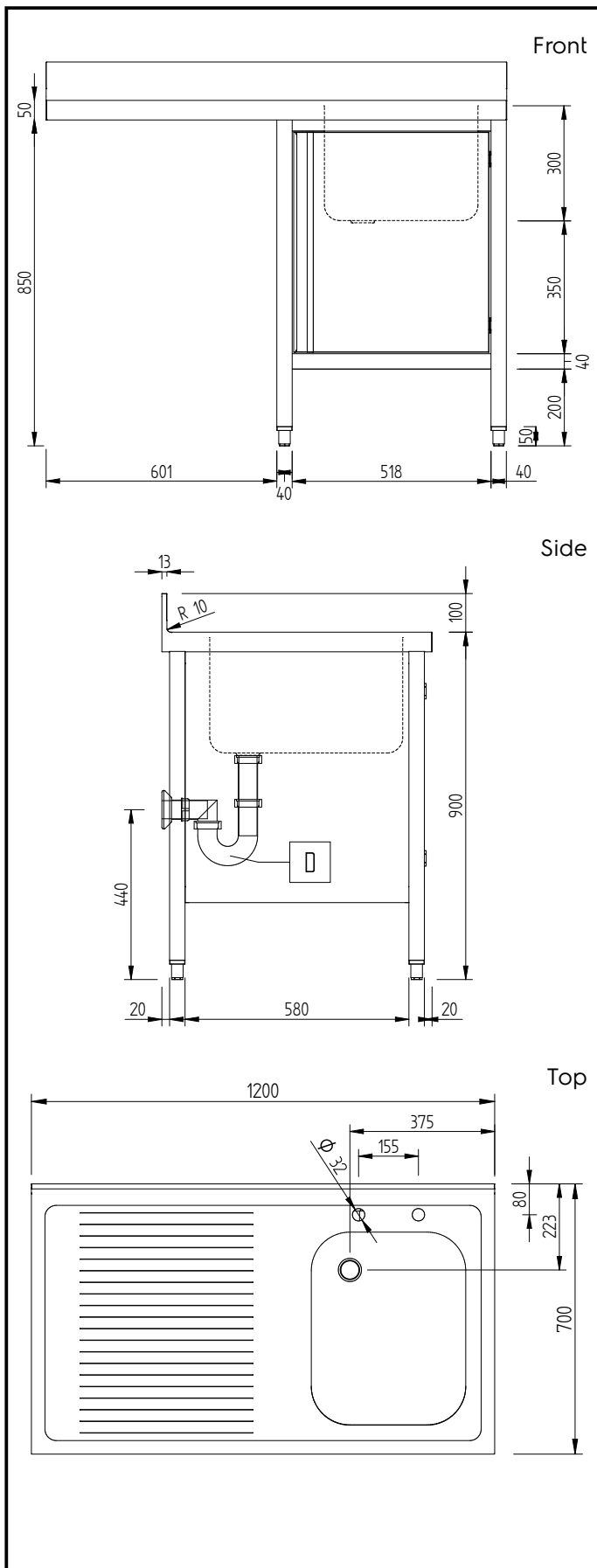
Construction

- Welded frame and legs.
- Worktop with 50mm high profile, is in stainless steel Scotch Brite finishing, 10/10 in thickness with anti-drip edges and welded corners and overflow rim along the top.
- Sink bowl is sound-deadened, in polish stainless steel overflow pipe and 2" drain hole.
- Drainers are sound-deadened with stainless steel reinforcement bars.
- Upstand back completely covered with Stainless Steel welded profile.
- Doorsliding system is fluent and reliable, tested with over 80.000 cycles by external certified body.
- Cupboard interior has easy access thanks to completely openable doors.
- Base panel has 40mm high profile, is 8/10 in thickness with upturned edges and bar reinforcement.
- Height-adjustable stainless steel feet (-20/+30mm).
- Constructed entirely in 304 AISI stainless steel.

Optional Accessories

- Double plastic drain syphon 2 " for sinks PNC 850022
- Set of 4 wheels (2 with brake), diameter=125mm PNC 855207
- Elbow operated mixer tap 3/4" PNC 855302
- Elbow operated tap with spray arm and spout PNC 855304
- Elbow operated mixer tap with short lever 3/4" PNC 855305
- Wall mixer tap with swivel spout 3/4" PNC 855310
- Mixer tap with spray arm 3/4" PNC 855311
- Single plastic drain syphon 2 " for Sinks PNC 895313

APPROVAL: _____



Key Information:

| | |
|------------------------------|--------------|
| External dimensions, Width: | 1200 mm |
| 134144 (GLRISSPP) | |
| External dimensions, Depth: | 700 mm |
| External dimensions, Height: | 1000 mm |
| Upstand Dimensions, Height: | 100 mm |
| Upstand Dimensions, Depth: | 13 mm |
| Upstand Dimensions, Radius: | R=10 |
| Bowls number | 1 |
| Bowl dimensions | 400X500XH250 |
| Worktop thickness: | 50 mm |
| Net weight: | 38 kg |

PLUS - Static Preparation
 1200 mm Sink Cupboard for Dishwasher with 1 Bowl - Left Drainer

The company reserves the right to make modifications to the products without prior notice. All information correct at time of printing.